
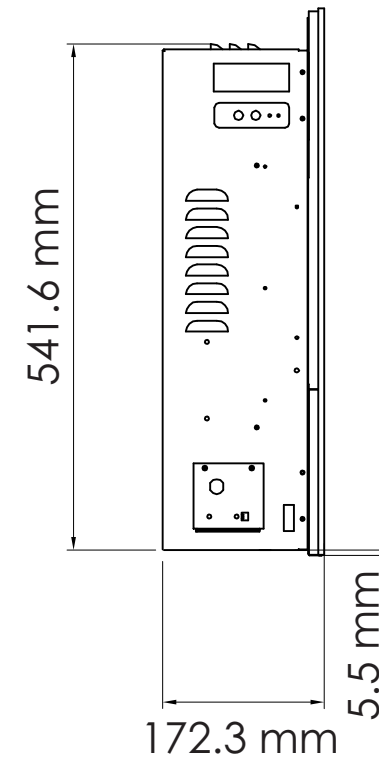
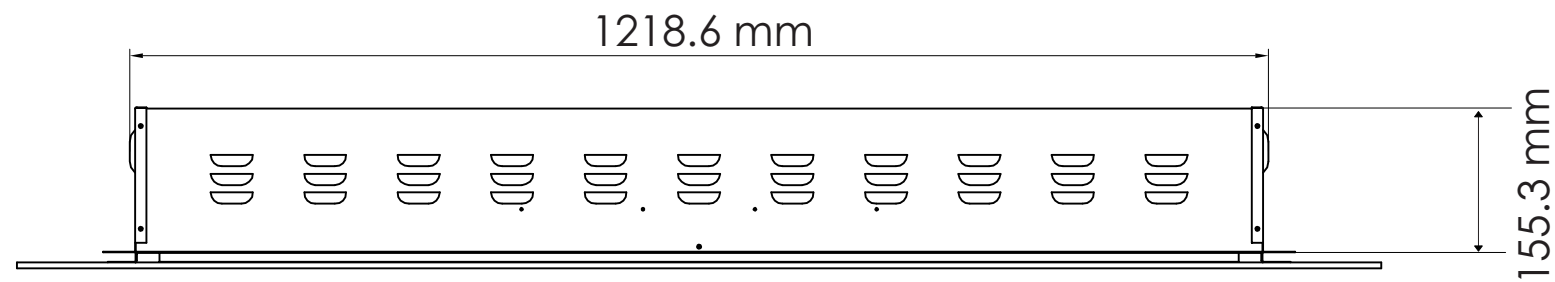
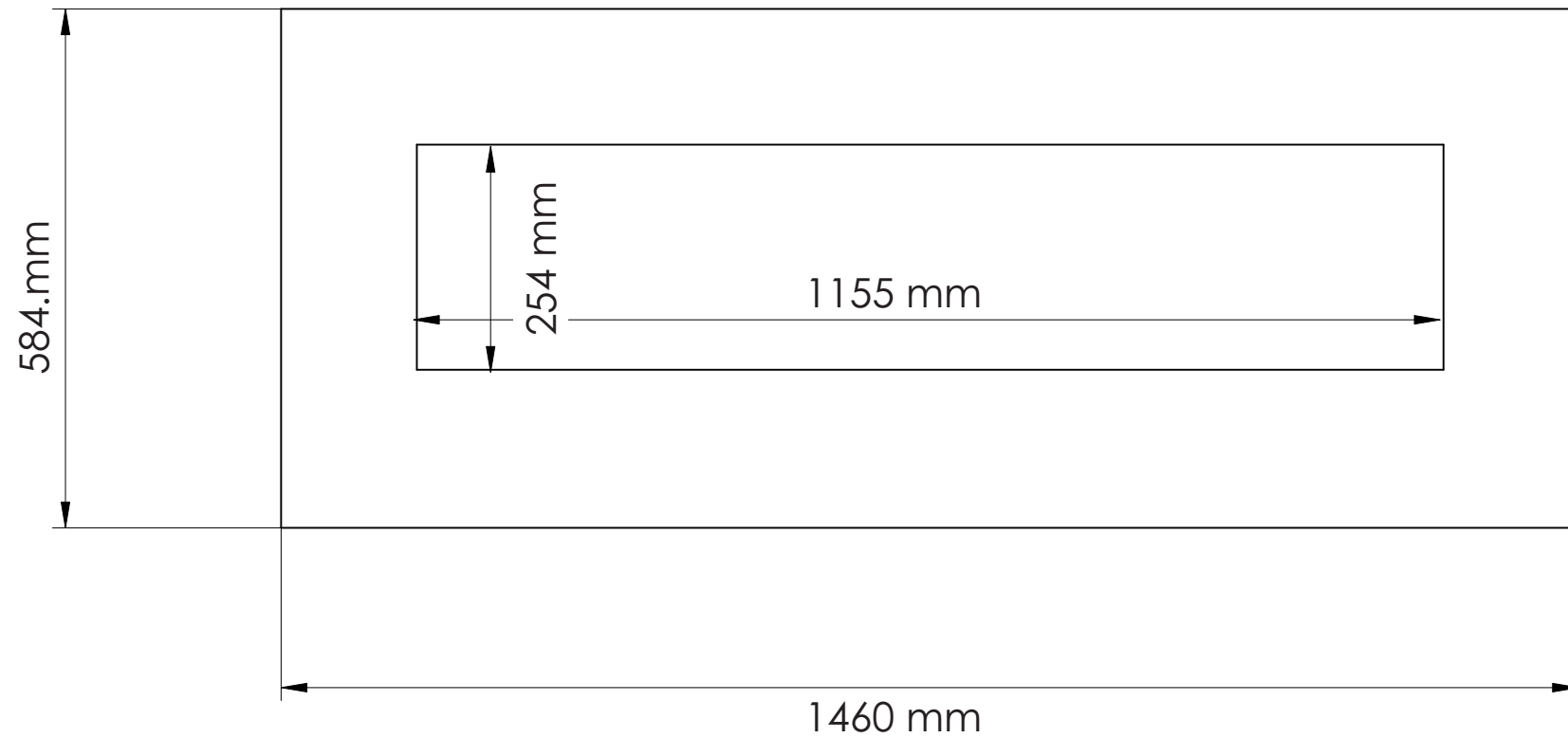


TECHNICAL SPECIFICATIONS

VOLTS		120
AMPS		12.5
WATTS		1500
HEATER	HIGH	1500 watts
	LOW	750 watts
NO HEATER		22 watts
LAMPS	QUANTITY	LED
	WATTS	
	TOTAL WATTS	22 watts
ROTOR MOTOR		1 at 5 watts
HEIGHT, WIDTH, DEPTH		21 1/4 x 48 x 6
GLASS VIEWING OPENING		45 1/2 x 10
GLASS SIZE		57 1/2 x 23
SHIPPING SIZE		60 3/4 x 10 1/4 x 26 1/4
SHIPPING WEIGHT		82.2 lbs
	UNIT	
GLASS FRONT		Included
PLUG LOCATION		Left Side
CORD LENGTH		76"
APPROX. HEATING AREA		400 sq ft




SERIES WM-BI	MODEL WM-BI-48-5823 WM-BI-48-5823-WHTGLS		REV 1
SCALE 1" = 1'-0"	DATE: 04/08/2013		SHEET 1 OF 1



TECHNICAL SPECIFICATIONS		
VOLTS	120	
AMPS	12.5	
WATTS	1500	
HEATER	HIGH	1500 watts
	LOW	750 watts
NO HEATER	22 watts	
LAMPS	QUANTITY	LED
	WATTS	
	TOTAL WATTS	22 watts
ROTOR MOTOR	1 at 5 watts	
HEIGHT, WIDTH, DEPTH	54.2 x 122.6 x 15.5 cm	
GLASS VIEWING OPENING	115.5 x 25.4 cm	
GLASS SIZE	146 x 58.4 cm	
SHIPPING SIZE	154.5 x 25.8 x 66.4 cm	
SHIPPING WEIGHT	37.4 kg	
GLASS FRONT	UNIT	
		Included
PLUG LOCATION	Left Side	
CORD LENGTH	193 cm	
APPROX. HEATING AREA	37 sqm	

*Amantii*

SERIES WM-BI	MODEL WM-BI-48-5823 WM-BI-48-5823-WHTGLS		REV 1
SCALE 1:12	DATE: 04/08/2013		SHEET 1 OF 1