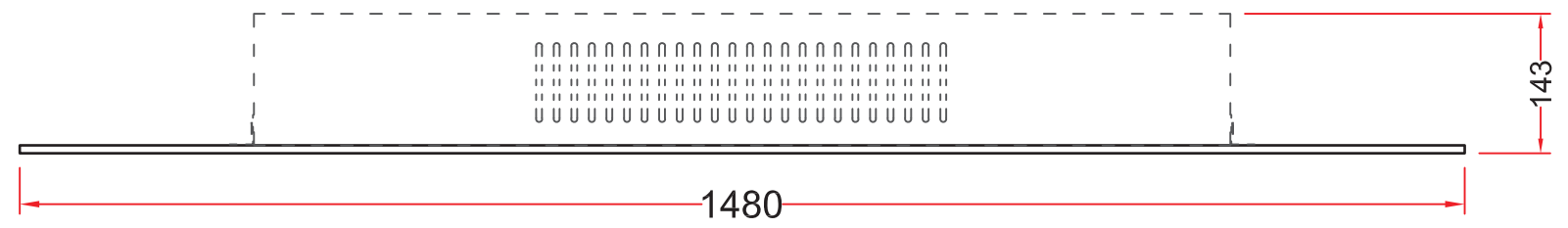
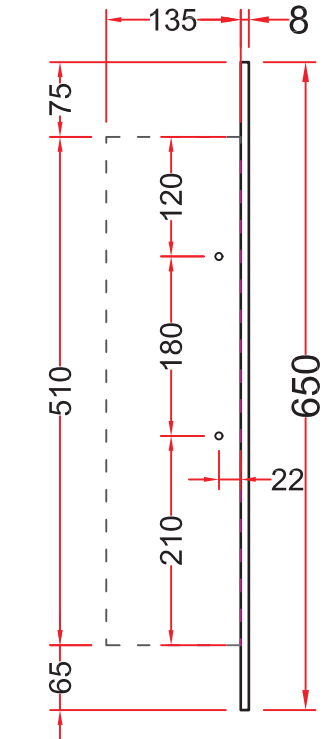
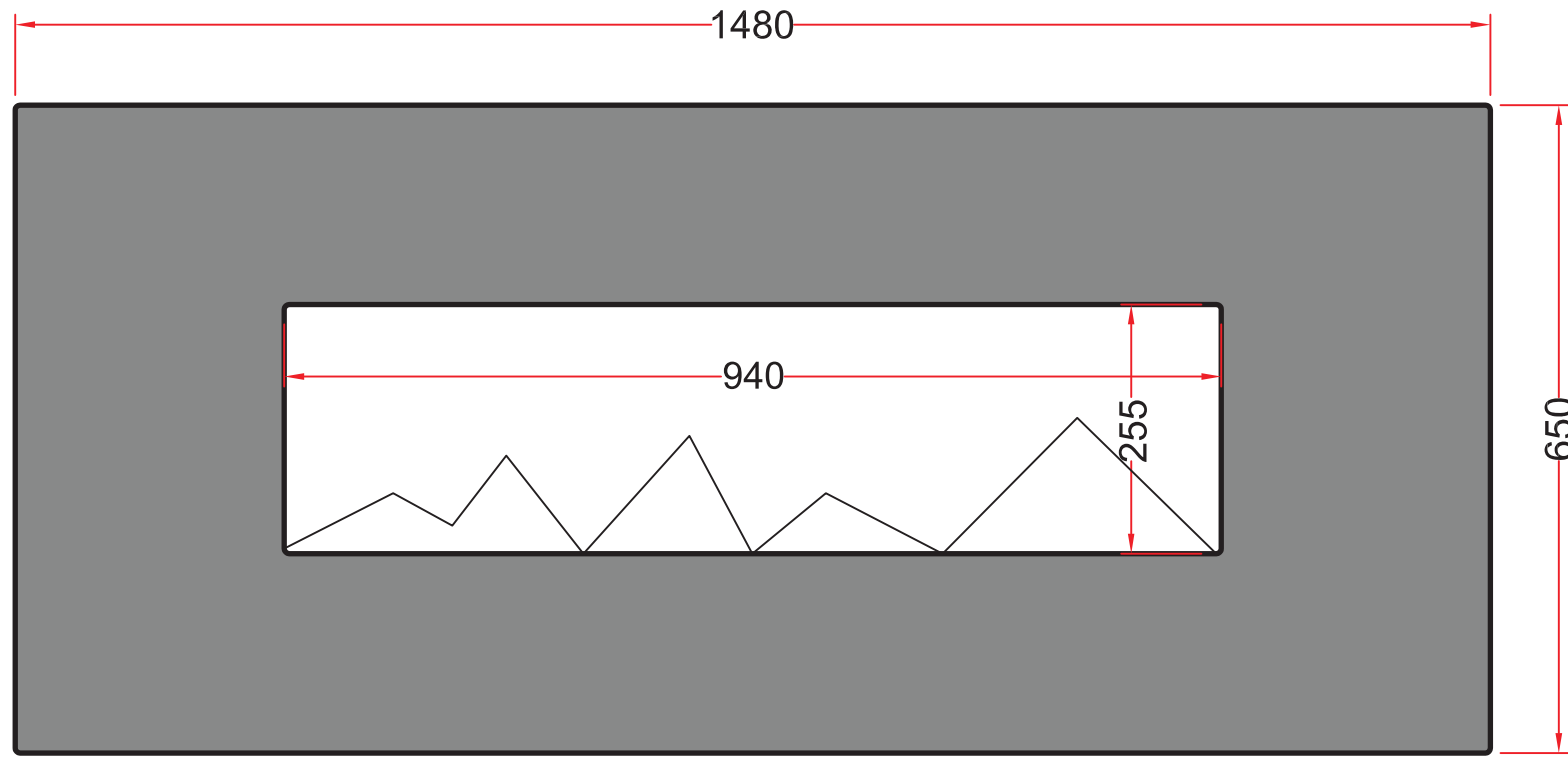


| TECHNICAL SPECIFICATIONS |                    |                            |
|--------------------------|--------------------|----------------------------|
| VOLTS                    |                    | 120                        |
| AMPS                     |                    | 14.5                       |
| WATTS                    |                    | 1745                       |
| HEATER                   | HIGH               | 1500 watts                 |
|                          | LOW                | 750 watts                  |
| NO HEATER                |                    | 245 watts                  |
| LAMPS                    | QUANTITY           | 5 Candelabra               |
|                          | WATTS              | 40 watts                   |
|                          | TOTAL WATTS        | 200 watts                  |
| ROTOR MOTOR              |                    | 1 at 5 watts               |
| HEIGHT, WIDTH, DEPTH     |                    | 20 1/16 x 39 3/10 x 5 5/16 |
| GLASS VIEWING OPENING    |                    | 37 x 10                    |
| GLASS SIZE               |                    | 58 1/4 w x 25 9/16 h       |
| SHIPPING SIZE            | GLASS FRONT MODELS | 60 1/4 x 8 x 27 1/4        |
|                          | STONE FRONT MODELS | 62 1/2 x 9 3/4 x 31 1/2    |
| SHIPPING WEIGHT          | GLASS FRONT MODELS | 106 lbs                    |
|                          | STONE FRONT MODELS | 126 lbs                    |
| PLUG LOCATION            |                    | Right Side                 |
| CORD LENGTH              |                    | 75"                        |
| APPROX. HEATING AREA     |                    | 500 sq ft                  |



|                  |   |   |     |
|------------------|---|---|-----|
| SERIES           | MODEL   |  | REV |
| WM               | WM-58-BLKGLASS<br>WM-58-BLKGRANITE<br>WM-58-TRAVERTINE<br>WM-58-GREYLIMESTONE |   | 1   |
| SCALE 1" = 1'-0" | DATE: 04/02/11  | SHEET 1 OF 1  |     |



TECHNICAL SPECIFICATIONS

|                       |                    |                        |
|-----------------------|--------------------|------------------------|
| VOLTS                 |                    | 120                    |
| AMPS                  |                    | 14.5                   |
| WATTS                 |                    | 1745                   |
| HEATER                | HIGH               | 1500 watts             |
|                       | LOW                | 750 watts              |
| NO HEATER             |                    | 245 watts              |
| LAMPS                 | QUANTITY           | 5 Candelabra           |
|                       | WATTS              | 40 watts               |
|                       | TOTAL WATTS        | 200 watts              |
| ROTOR MOTOR           |                    | 1 at 5 watts           |
| HEIGHT, WIDTH, DEPTH  |                    | 51 h x 99.8 w x 13.5 d |
| GLASS VIEWING OPENING |                    | 94 x 25.5 cm           |
| GLASS SIZE            |                    | 148 x 65 cm            |
| SHIPPING SIZE         |                    |                        |
|                       | GLASS FRONT MODELS | 153 x 19.5 x 69 cm     |
|                       | STONE FRONT MODELS | 158 x 24.5 x 80 cm     |
| SHIPPING WEIGHT       |                    |                        |
|                       | GLASS FRONT MODELS | 48 kg                  |
|                       | STONE FRONT MODELS | 57 kg                  |
| PLUG LOCATION         |                    | Right Side             |
| CORD LENGTH           |                    | 193 cm                 |
| APPROX. HEATING AREA  |                    | 46.5 sqm               |



|            |   |   |     |
|------------|---|---|-----|
| SERIES     | MODEL   |  | REV |
| WM         | WM-58-BLKGLASS<br>WM-58-BLKGRANITE<br>WM-58-TRAVERTINE<br>WM-58-GREYLIMESTONE |   | 1   |
| SCALE 1:12 | DATE: 04/02/11  | SHEET 1 OF 1  |     |